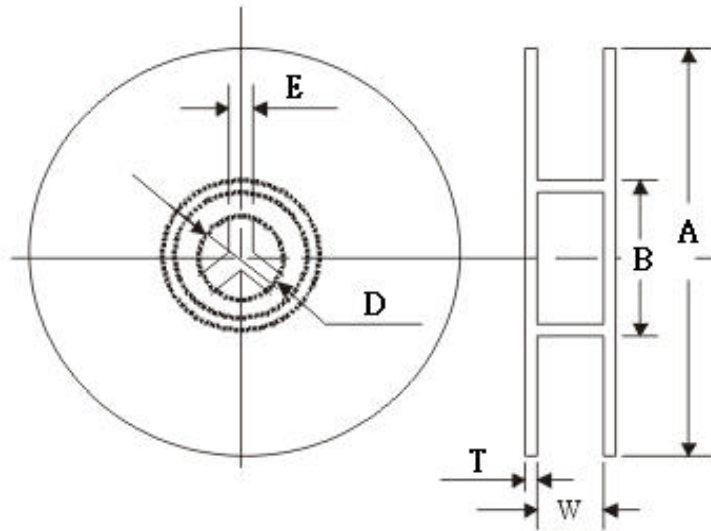


PACKING INFORMATION

Standard Packing Quanti

Chip Size	Thickness(mm)	Max Carrier Depth (In 7" Reel)	Quantity of Cardboard Tape (In 7" Reel)	Quantity of Embossed Tape
1608(0603)	0.80 ± 0.10	0.95 mm	4000	-
2012(0805)	0.60 ± 0.10	0.75 mm	4000	-
	0.80 ± 0.10	0.90 mm	4000	-
	1.00 ± 0.10	1.20 mm	4000	-
3216(1206)	0.60 ± 0.10	0.85 mm	-	4000
	0.80 ± 0.10	1.04 mm	-	4000
	1.00 ± 0.10	1.25 mm	-	3000
	1.20 ± 0.10	1.25 mm	-	3000
	1.60 ± 0.10	1.85 mm	-	2000
3225(1210)	0.80 ± 0.10	1.07 mm	-	3000
	1.00 ± 0.20	1.27 mm	-	3000
	1.20 ± 0.20	1.55 mm	-	2000
4520(1808)	1.60 ± 0.20	1.85 mm	-	2000
	2.00 ± 0.20	2.20 mm	-	2000
4532(1812)	1.20 ± 0.20	1.40 mm	-	1000
	1.60 ± 0.20	0.85 mm	-	1000
	2.00 ± 0.20	2.20 mm	-	1000

Reel For Taping



Dimension(mm)

Tape Width	2	B	C	D	E	W	T
8	178±2.0	50min	13.0±0.2	20min	1.5min	10.0±1.5	0.8±0.2
12	329±2.0	50min	13.0±0.2	20min	1.5min	13.5±1.5	2.5±0.5
8	329±2.0	50min	13.0±0.2	20min	1.5min	17.5±1.5	2.5±0.5