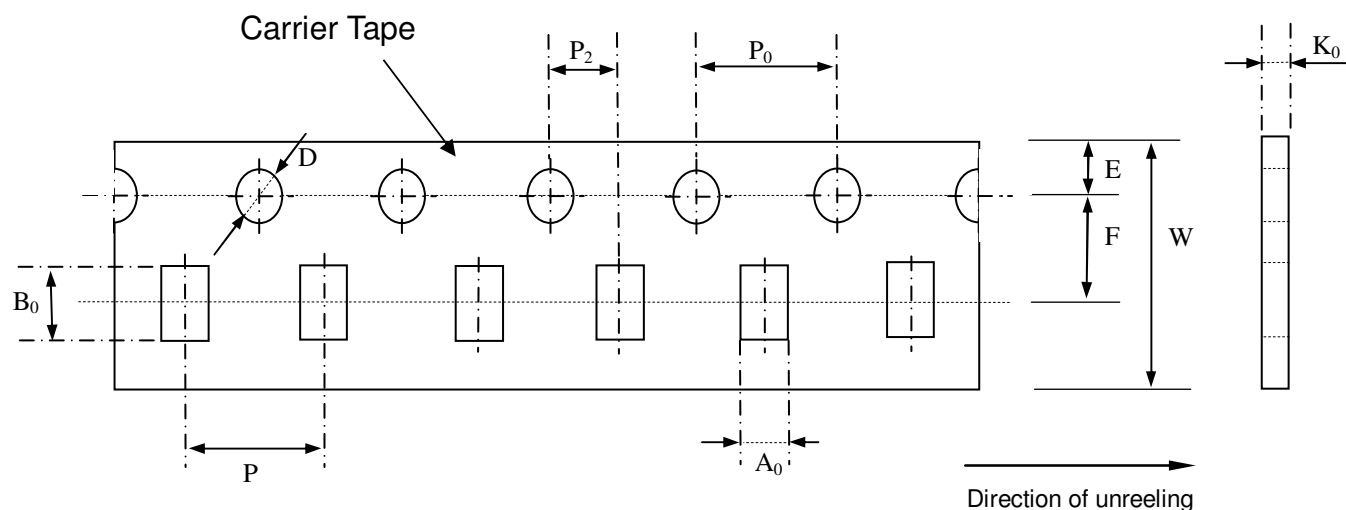


SMD Transient Voltage Suppressors

Packing Information

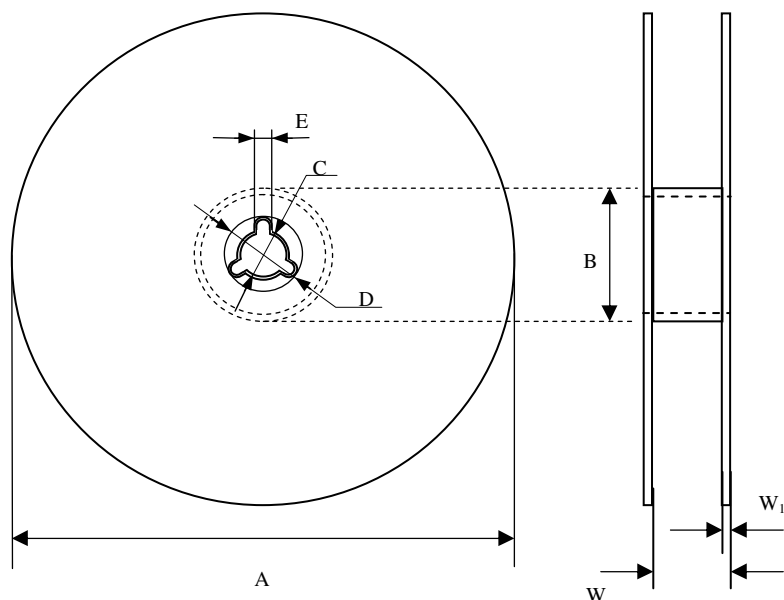


Unit: mm

Symbol	A_0 ± 0.10	B_0 ± 0.10	K_0 ± 0.10	T ± 0.05	T_2 ± 0.05	D_0 $+0.10$ -0.00	D_1 ± 0.05	P_1 ± 0.10	P_2 ± 0.05	P_0 ± 0.05	W ± 0.05	E ± 0.10	F ± 0.05
0201	0.37	0.67	0.50	0.22	0.57	1.50	1.50	2.00	2.00	4.00	8.00	1.75	3.50
0402	0.85	1.25	0.65	0.22	0.87	1.50	1.00	3.00	2.00	4.00	8.00	1.75	3.50
0603	1.08	1.88	0.95	0.22	1.17	1.50	1.00	4.00	2.00	4.00	8.00	1.75	3.50
0805	1.42	2.30	1.04	0.22	1.26	1.50	1.00	4.00	2.00	4.00	8.00	1.75	3.50
1206	1.88	3.50	1.27	0.22	1.49	1.50	1.00	4.00	2.00	4.00	8.00	1.75	3.50
1210	2.78	3.46	1.55	0.22	1.77	1.50	1.00	4.00	2.00	4.00	8.00	1.75	3.50
1812	3.66	4.95	1.74	0.25	1.99	1.50	1.50	8.00	2.00	4.00	12.00	1.75	5.50
2220	5.10	5.97	2.80	0.25	3.05	1.50	1.50	8.00	2.00	4.00	12.00	1.75	5.50
08CH	5.50	8.50	2.80	0.30	3.50	1.50	1.50	8.00	2.00	4.00	16.00	1.75	7.50

SMD Transient Voltage Suppressors

Reel Dimensions



Unit: mm

Symbol	A	B	C	D	E	W	W ₁
0201	178.0 ± 1.0	60.0 ± 0.5	13.0 ± 0.2	21.0 ± 0.2	2.0 ± 0.5	9.0 ± 0.50	1.50 ± 0.15
0402	178.0 ± 1.0	60.0 ± 0.5	13.0 ± 0.2	21.0 ± 0.2	2.0 ± 0.5	9.0 ± 0.50	1.50 ± 0.15
0603	178.0 ± 1.0	60.0 ± 0.5	13.0 ± 0.2	21.0 ± 0.2	2.0 ± 0.5	9.0 ± 0.50	1.50 ± 0.15
0805	178.0 ± 1.0	60.0 ± 0.5	13.0 ± 0.2	21.0 ± 0.2	2.0 ± 0.5	9.0 ± 0.50	1.50 ± 0.15
1206	178.0 ± 1.0	60.0 ± 0.5	13.0 ± 0.2	21.0 ± 0.2	2.0 ± 0.5	9.0 ± 0.50	1.50 ± 0.15
1210	178.0 ± 1.0	60.0 ± 0.5	13.0 ± 0.2	21.0 ± 0.2	2.0 ± 0.5	9.0 ± 0.50	1.50 ± 0.15
1812	178.0 ± 1.0	60.0 ± 0.5	13.0 ± 0.2	21.0 ± 0.2	2.0 ± 0.5	9.0 ± 0.50	1.50 ± 0.15
2220	178.0 ± 1.0	60.0 ± 0.5	13.0 ± 0.2	21.0 ± 0.2	2.0 ± 0.5	9.0 ± 0.50	1.50 ± 0.15
08CH	178.0 ± 1.0	60.0 ± 0.5	13.0 ± 0.2	21.0 ± 0.2	2.0 ± 0.5	9.0 ± 0.50	1.50 ± 0.15

Pieces Packaged Per Reel

Type	0201	0402	0603	0805	1206	1210	1812	2220	08CH
PCS/Reel	15,000	10,000	4,000	3,000	3,000	2,000	1,000	1,000	1,000